

INSTALLATION NOTES

The Genevieve
FW 4848 Shower
MN Nursing Home Compliant

Warm Rain

FW 4848
SHOWER

3/4" Front Thresholds

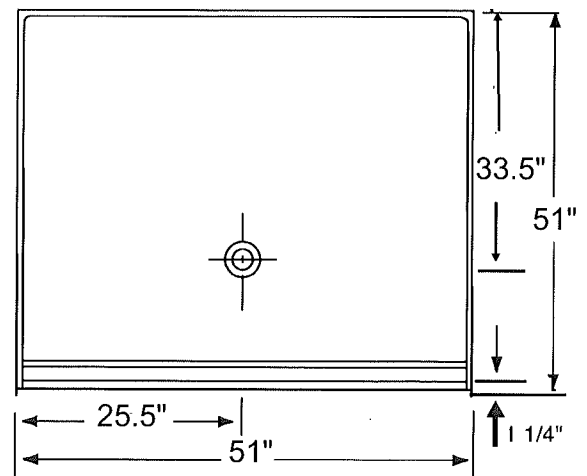
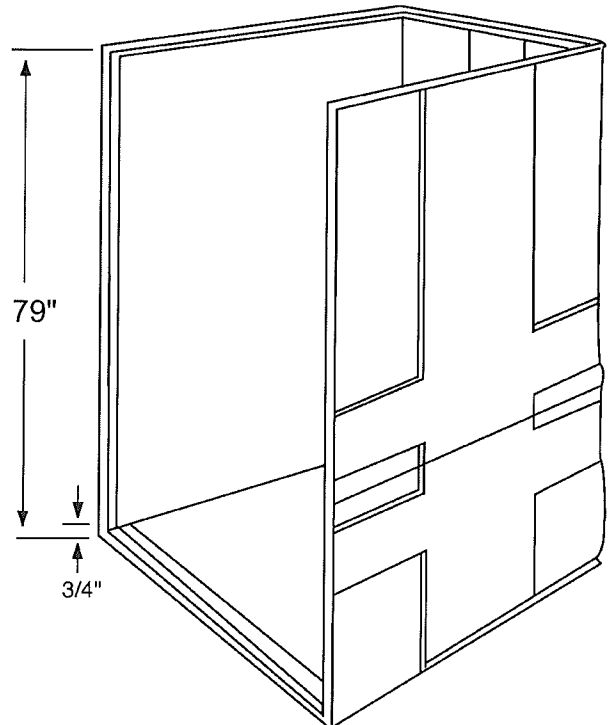
THE CLOSE TOLERANCES BETWEEN THE FLOOR AND THE BOTTOM OF THIS BARRIER FREE SHOWER STALL MAKE IT A VERY SENSITIVE UNIT TO PROPERLY INSTALL. PLEASE READ AND FOLLOW THE INSTRUCTIONS BELOW.

INSTALLATION NOTES

1. Check slab to insure that it is perfectly flat and completely free from all debris. This includes all screws, nuts or any material whatsoever.
2. Inspect framed-in area for proper size, square, plumb and level. 3. A Vapor barrier (Visqueen) must be installed between the slab and the unit.
4. Other than the vapor barrier, nothing is to be used under the unit. For example, NO mortar bedding, adhesive or foam is to be used underneath this unit.
5. Position module in framed pocket. Check to be sure that module is plumb and level. Be sure front nailing flange is down tight to the floor and module walls are touching studs of framed area.
6. Spot nail through the nailing flanges at the lower front corners.
7. Continue to nail, approximately 8" inches on center starting from the bottom and working to the top of the side wall nailing flanges. Nail the top flanges to each stud.
8. Floor Flange must be mechanically attached to the floor.
9. If possible, tighten down drain drawing down the bottom floor.
10. Starting from the finished side, drill or hole-saw plumbing hardware holes. Double check hole locations prior to drilling.
11. Check floor of unit for high spots and slope to drain after installation.
(This unit must be water tested prior to sheet rock installation)
12. After installation, clean module with warm water and a liquid detergent or use any cleaner that labels itself as safe for gelcoat fiberglass fixtures. Paints, purple primer and other materials can be easily removed without damage to the unit by use of turpentine, paint thinner or acetone.
13. Any scratches or dull areas in the unit may be removed with an automotive type rubbing compound.

NOTE TO FLOORING INSTALLER: PREFILL WITH GROUT OR FEATHER-FINISH AREA IN FRONT OF FLOOR FLANGE

NOTE
ALL DIMENSIONS
MAY VARY
± 1/4"



WARM RAIN

P.O. Box 600 • 51675 N. Industrial Drive • Hancock, MI 49930

Voice: 906-482-3750 • Fax: 906-482-2585 • Email: tedk@warmrain.com • www.warmrain.com