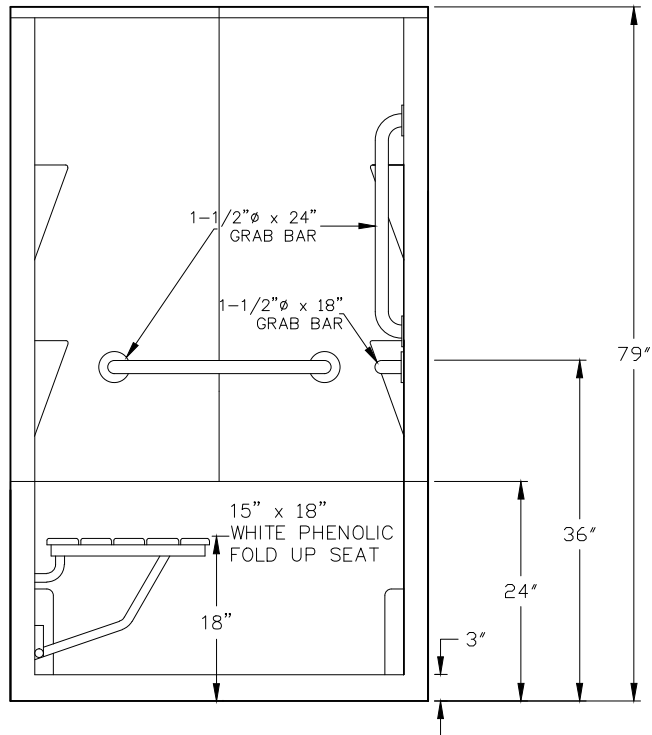
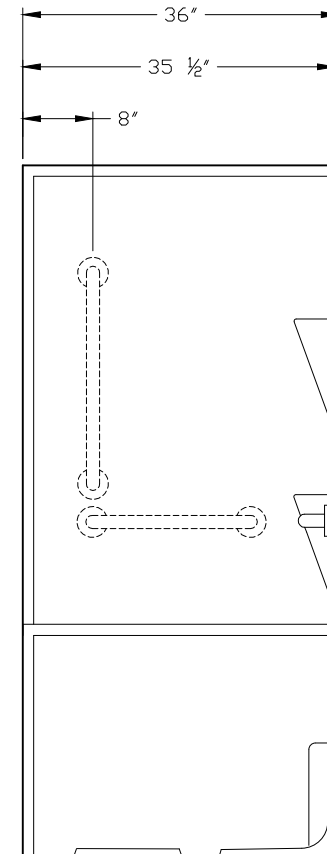


TOP

H 248-B



FRONT



SIDE