



H 330/1

Friendly™ Series



BUILDING CODES MET & EXCEEDED

- 1991 Fair Housing Act
- ANSI Z124.1.2 - 2005
- ASTM E-F-462 (Slip Resistance)
- ASTM E-84 Class "C" Rating
 - Class "B" rating available
- HUD's UM Bulletin # 73a and 73b
- FmHA
- UFAS & ABA
- ASTM D-2583 (Barcol Hardness)

SPECIFICATIONS

Warm Rain Model H 330 (right hand) and H 331 (left hand) bath fixtures are constructed of reinforced polyester resin covered with a high gloss sanitary-grade gelcoat of 18-20 mil. thickness. The reinforced fiberglass includes a minimum content of 18% fiberglass.

The bottom base of the unit is constructed of 1/2" end-grained balsa wood sandwiched between two layers of reinforced fiberglass at a content no less than 18%. The base is an integral part of the unit.

The outside dimensions of this unit will measure 60" L x 30" W x 79" H.

The bottom floor is a textured bottom floor.

STANDARD PACKAGES

H 330-A and H 331-A

Models include Grab Bars

The grab bars will be factory installed, the grab bars will be 1.5" outside diameter ADA compliant stainless steel bars. One 24" grab bar on the wet wall will be placed 34.5" above the floor. One 24" vertical grab bar will be placed 4" above the horizontal bar and 4" from the front of the unit on the wet wall. Two 36" grab bars on the back wall will be placed at 26.5" and 34.5" above the floor - these two grab bars are not installed as they go over a seam area - pilot holes are predrilled for grab bar installation. The grab bar located at 26.5" above the floor is 9" from the top of the apron. One 24" grab bar will be placed opposite the wet wall at 34.5" above the floor.

H 330-B and H 331-B

Models include Grab Bars & Fold-up Seat

One 24" grab bar on the wet wall will be placed 34.5" above the floor. One 24" vertical grab bar will be placed 4" above the horizontal bar and 4" from the front of the unit on the wet wall. Two 24" grab bars on the back wall will be placed at 26.5" and 34.5" above the floor. - these two grab bars are not installed as they go over a seam area - pilot holes are predrilled for grab bar installation. The grab bar located at 26.5" above the floor is 9" from the top of the apron. One 12" grab bar will be placed on the dry wall at 34.5" above the floor. The ADA compliant seat will be factory installed. The seat will support a minimum of 250 lbs. The seat will be placed on the side wall opposite the controls 18" above the floor. The seat is a rectangular white phenolic ADA compliant seat.

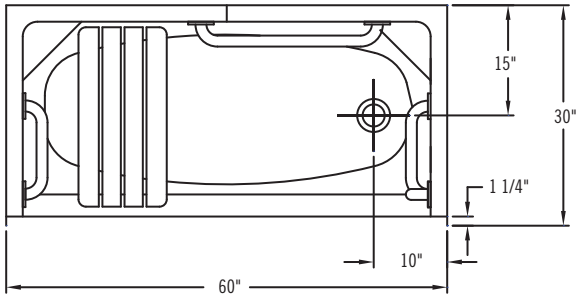
H 330-C and H 331-C

Models include Grab Bars, Fold-Up Seat, Pressure Balance Valve, Hand held Shower with Slide Bar, Vacuum Breaker, & Curtain Rod with Hangers

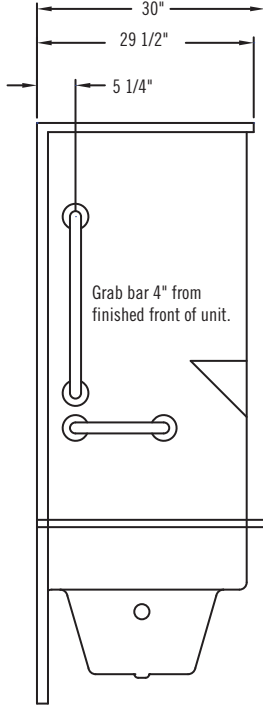
One 24" grab bar on the wet wall will be placed 34.5" above the floor. One 24" vertical grab bar will be placed 4" above the horizontal bar and 4" from the front of the unit on the wet wall. Two 24" grab bars on the back wall will be placed at 26.5" and 34.5" above the floor - these two grab bars are not installed as they go over a seam area - pilot holes are predrilled for grab bar installation. The grab bar located at 26.5" above the floor is 9" from the top of the apron. One 12" grab bar will be placed on the dry wall at 34.5" above the floor and starting at the front edge of the bathtub. The ADA compliant seat will be factory installed. The seat will support a minimum of 250 lbs. The seat will be placed on the side wall opposite the controls 18" above the floor. The seat is a rectangular white phenolic ADA compliant seat. One Symmons Allura Valve & Kit model # S4700-T-400B-30-V-X will include a Allura S4700 pressure balance valve with integral service stops, hand held shower with 30" bar, Vacuum breaker. Also, one Seachrome 5' curtain rod with hangers.

H 330/1

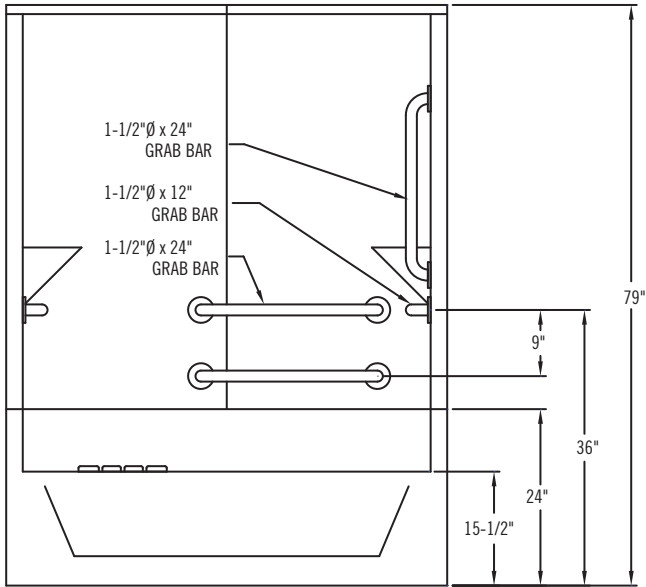
Friendly™ Series



TOP



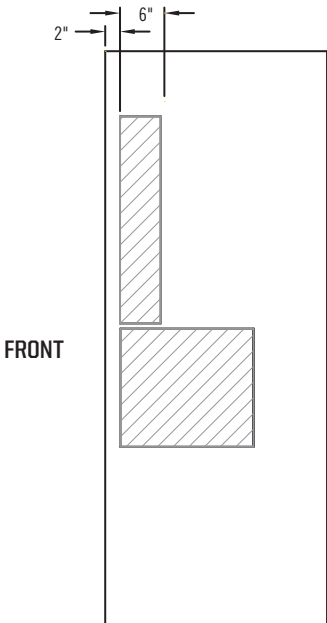
SIDE



FRONT

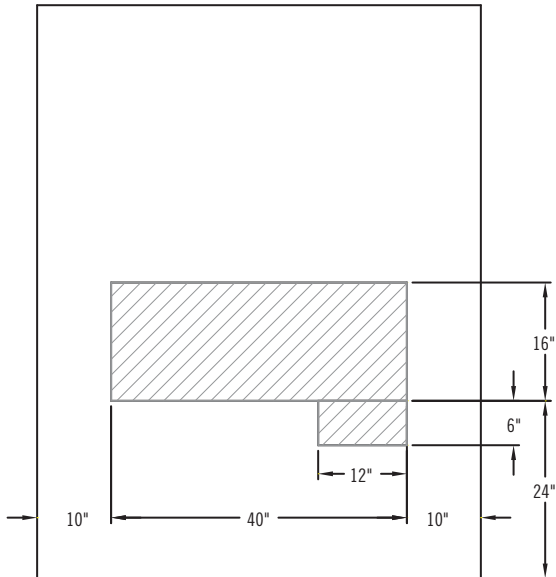
REINFORCEMENTS

1/2" plywood completely encased by FRP for field installation of grab bars and fold-up seat



FRONT

PLUMBING SIDE



BACK

