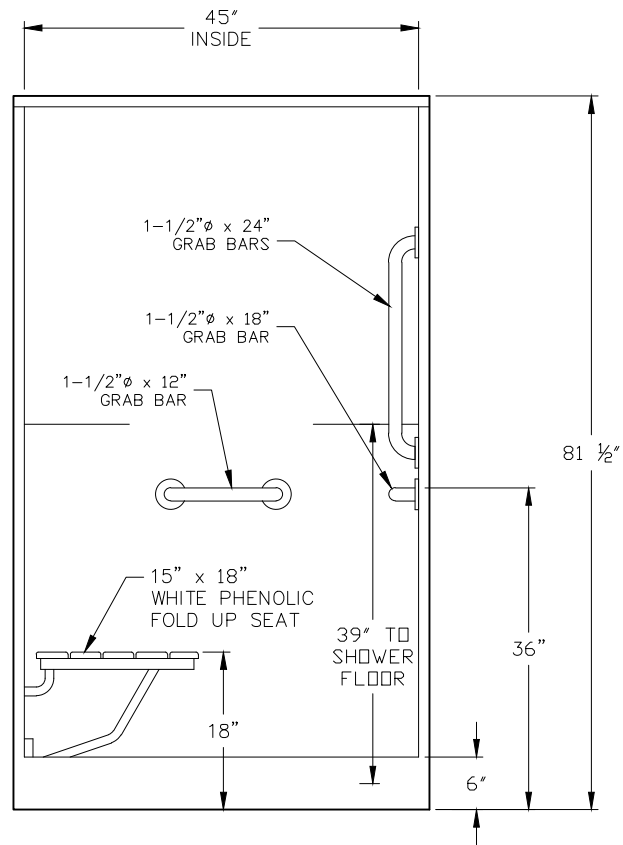
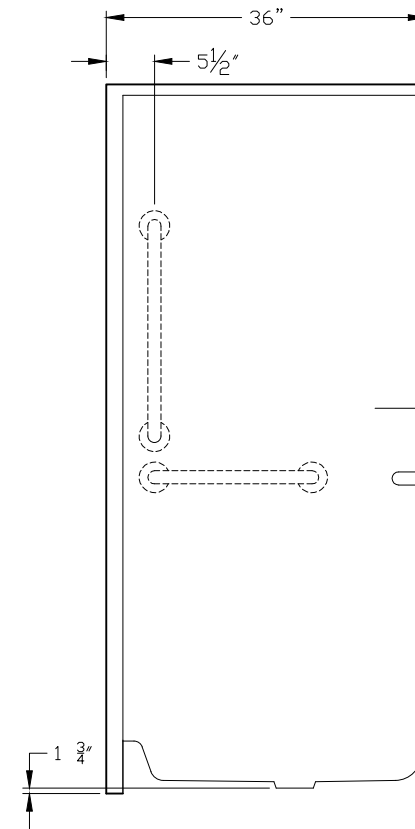


TOP



FRONT



SIDE

H 48-B