

INSTALLATION NOTES

Warm Rain

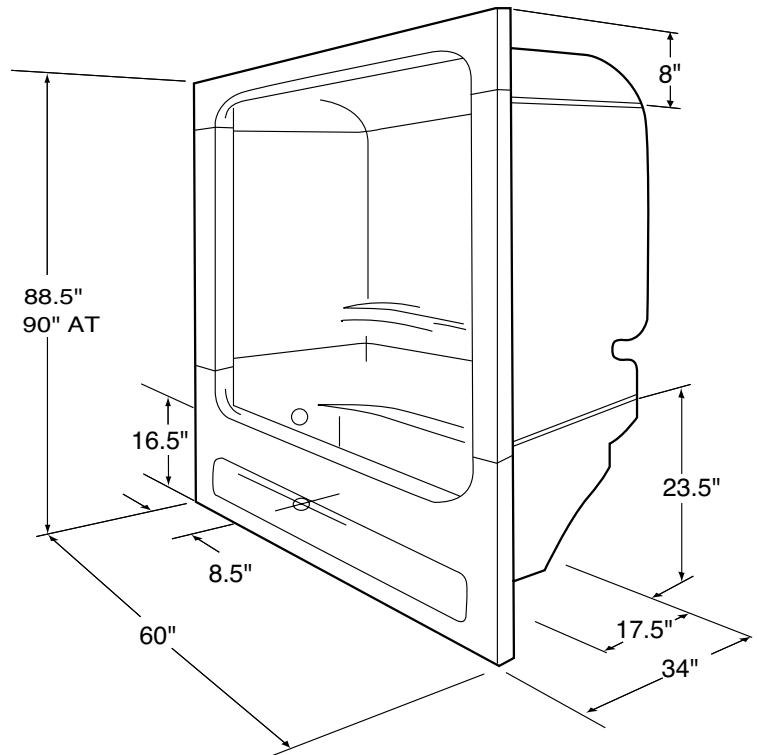
WR 930/31 • WR 930/31 AT • WR 930/31 WP

BATHING MODULES

Door Opening 51 1/2" Wide x 67" High

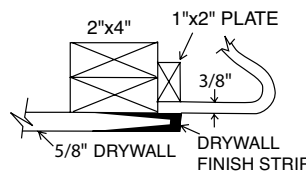
INSTALLATION NOTES

1. Inspect framed-in area for proper size, square, level & plumb.
2. Install 1" x 2" mounting plate on front corner posts, header and floor – See Diagram below.
3. Apply tape gaskets to bottom section and top of wall section. Hold tape back approximately 1/4" from inside. Bolt sections together.
4. Position module in framed area. Check to be sure apron is down tight to the floor and side walls are tight to mounting plate.
5. Screw module to mounting plate starting from bottom using countersunk holes provided
6. Starting from finishing side, drill or hole-saw plumbing hardware holes. Double check locations prior to drilling.
7. After installation, clean module with warm water and liquid detergent. Paints and other materials can be easily removed without damage to the unit by use of turpentine or paint thinner.
8. Any scratches or dull areas in unit may be removed with an automotive type rubbing compound

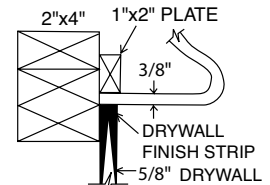


NOTE
ALL DIMENSIONS
MAY VARY
± 1/4"

WR 930 (RH)
WR 931 (LH)



FLUSH INSTALLATION



RECESSED INSTALLATION

Note – 1" x 2" vertical Mounting plate must be removed between the heights of 23" – 26" and 80" – 83" on both sides to allow for breakdown seam.

Note on "Above Floor Rough –in add 2" to apron height / front threshold height and 2" to overall height

WARM RAIN

P.O. Box 600 • 51675 N. Industrial Drive • Hancock, MI 49930

Voice: 906-482-3750 • Fax: 906-482-2585 • Email: tedk@warmrain.com • www.warmrain.com