

INSTALLATION NOTES



WR 936 • WR 936 AT • WR 936 SP BATHING MODULES

INSTALLATION NOTES

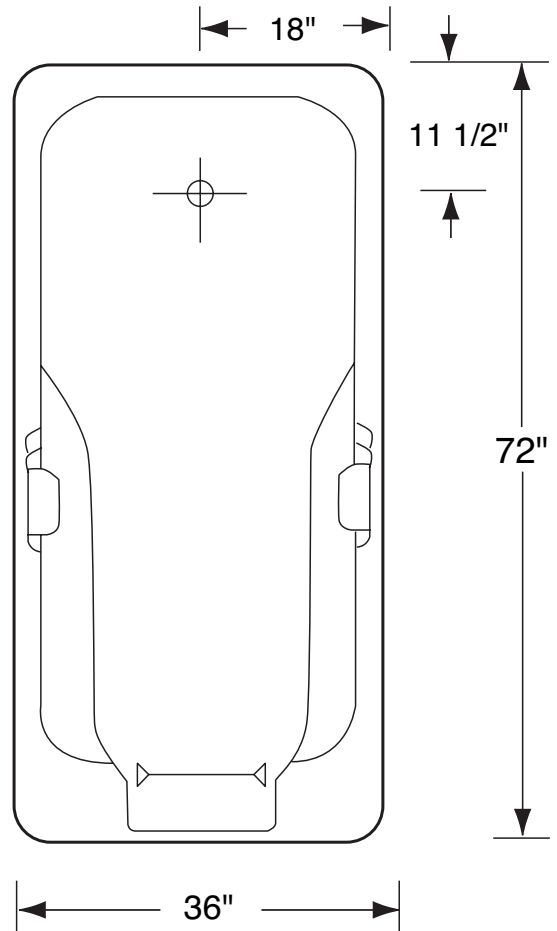
1. Inspect framed-in area for proper size, level, square, and plumb.
2. The frame should allow 1" of the tub to extend over it all the way around, i.e. 936 SP = 72" x 36" frame I.D. should be 70" x 34".
3. It is not necessary to support the bottom of your warm rain unit.
4. Caulk seam to insure no movement of tub after installation.
5. After installation, clean module with warm water and liquid detergent. Paints and other materials can be easily removed without damage to the unit by the use of turpentine, paint thinner, or acetone.
6. Any scratches or dull areas in unit may be removed with automotive type rubbing compound.

This luxury length model has all the features of our 5' unit with additional length to provide stretch out five-jet comfort.

FOR MODEL WR 936 SP
normal operating capacity approx. 40 gal.

NOTE
ALL DIMENSIONS
MAY VARY
± 1/4"

6' STEEPING WHIRLPOOL BATH



WARM RAIN

P.O. Box 600 • 51675 N. Industrial Drive • Hancock, MI 49930
Voice: 906-482-3750 • Fax: 906-482-2585 • Email: tedk@warmrain.com • www.warmrain.com