

WarmRain Specification for model:
WR 942



Warm Rain model WR 942 soaking tubs are constructed of reinforced polyester resin covered with a high gloss .125 acrylic sheet. The reinforced fiberglass has a minimum content of 18 % fiberglass.

The bottom base of the unit is constructed of 1/2" end-grained balsa wood sandwiched between 2 layers of reinforced fiberglass. The base is an integral part of the unit.

The inside bottom floor will be textured. The texture bottom floor meets and exceeds ASTM Safety Specification F-462.

The unit will measure 72" x 42" x 20" and has a 20" front outside skirt height. The inside dam will measure 19" and the overflow will be 15.5" above the floor.

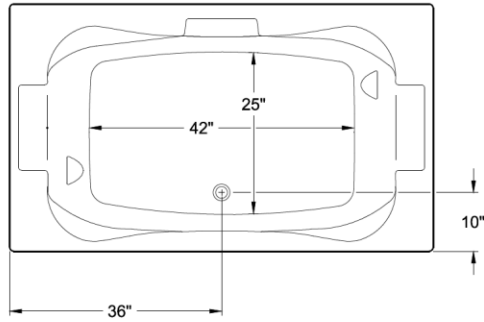
The inside sump area will measure 57" x 30" at the top of the well and 43" x 26" at the bottom of the well.

The unit includes 2 - built in color coordinated pillows.

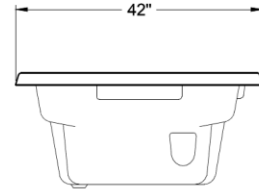
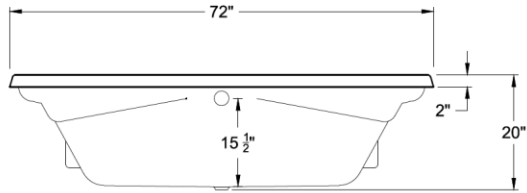
These Warm Rain soaking tubs arrive on site fully tested, inspected, and certified to meet or exceed the precise standards established by FHA/HUD, materials bulletin 73, American National Standards Z-124.1 and Z-124.2, ASTM/E-84 and is certified by the Home Innovation Research Labs, formerly known as the National Association of Home Builders NAHB.



WarmRain Specification for model:
WR 942



WR 942



9-14-12

