

INSTALLATION NOTES



WR 948 • WR 948 AT • WR 948 SP BATHING MODULES

INSTALLATION NOTES

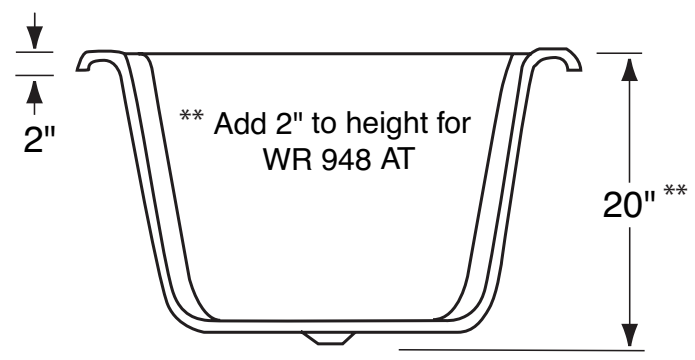
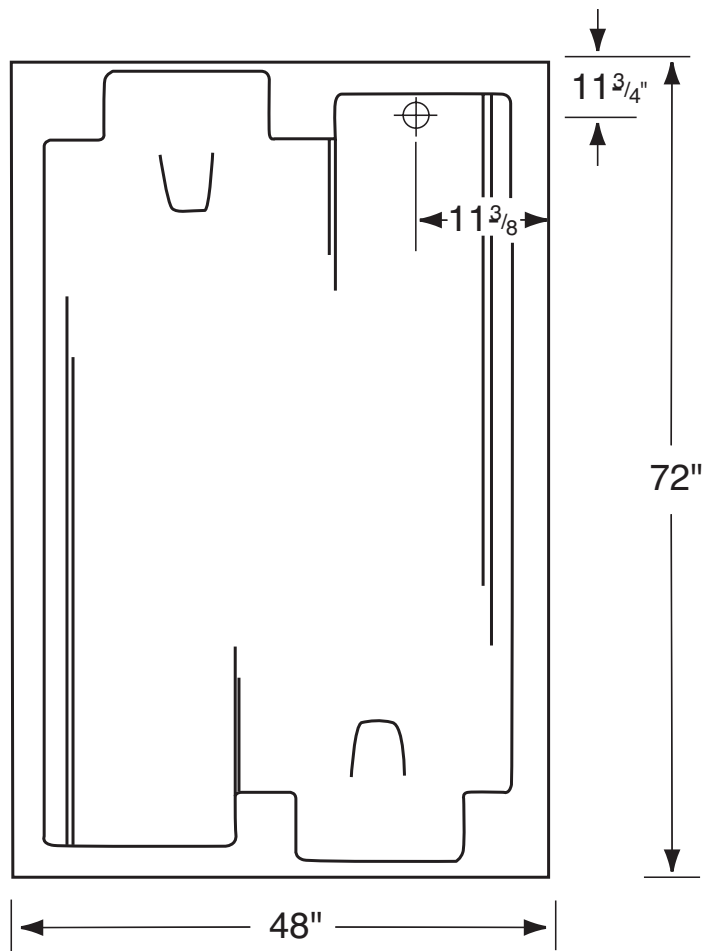
1. Inspect framed-in area for proper size, level, square, and plumb.
2. The frame should allow 1" of the tub to extend over it all the way around, i.e. 948 SP = 60" x 36" frame I.D. should be 58" x 34".
3. It is not necessary to support the bottom of your warm rain unit.
4. Caulk seam to insure no movement of tub after installation.
5. After installation, clean module with warm water and liquid detergent. Paints and other materials can be easily removed without damage to the unit by the use of turpentine, paint thinner, or acetone.
6. Any scratches or dull areas in unit may be removed with automotive type rubbing compound.

The ultimate in companion bathing. Designed with lavish room for one person or comfort for two. Seven-jet all around action, including two jets for foot massage.

FOR MODEL WR 948 WP
normal operating capacity approx. 60 gallons

NOTE
ALL DIMENSIONS
MAY VARY
± 1/4"

6' STEEPING WHIRLPOOL BATH



WARM RAIN

P.O. Box 600 • 51675 N. Industrial Drive • Hancock, MI 49930
Voice: 906-482-3750 • Fax: 906-482-2585 • Email: tedk@warmrain.com • www.warmrain.com